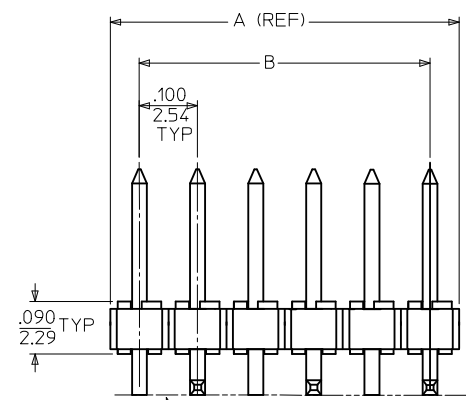
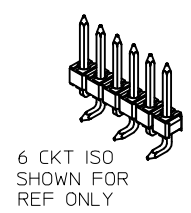
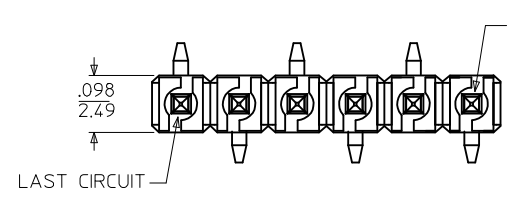
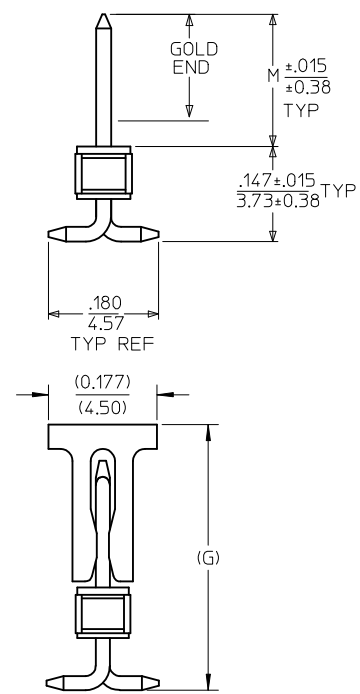


	10	9	8	7	6	5	4	3	2	1
NO. OF CKTS	A	B								
**2	.200 5.08									
3	.300 7.62	.200 5.08								
4	.400 10.16	.300 7.62								
5	.500 12.70	.400 10.16								
6	.600 15.24	.500 12.70								
7	.700 17.78	.600 15.24								
8	.800 20.32	.700 17.78								
9	.900 22.86	.800 20.32								
10	1.000 25.40	.900 22.86								
11	1.100 27.94	1.000 25.40								
12	1.200 30.48	1.100 27.94								
13	1.300 33.02	1.200 30.48								
14	1.400 35.56	1.300 33.02								
15	1.500 38.10	1.400 35.56								
16	1.600 40.64	1.500 38.10								
17	1.700 43.18	1.600 40.64								
18	1.800 45.72	1.700 43.18								
19	1.900 48.26	1.800 45.72								
20	2.000 50.80	1.900 48.26								
21	2.100 53.34	2.000 50.80								
22	2.200 55.88	2.100 53.34								
23	2.300 58.42	2.200 55.88								
24	2.400 60.96	2.300 58.42								

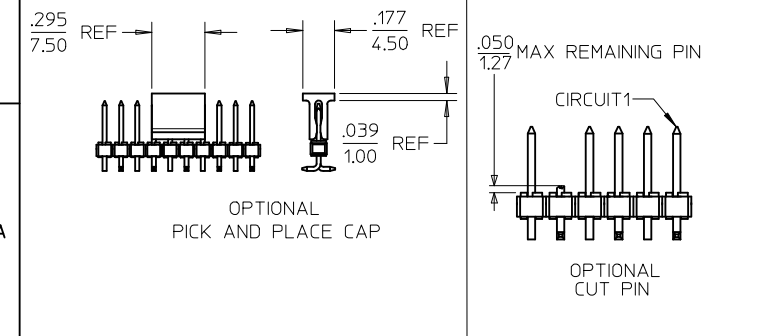
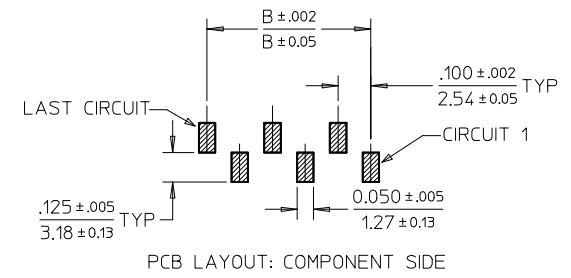


CKTS	COPLANARITY
2-6	.006/(0.15)
7-14	.010/(0.25)
15-24	.012/(0.30)



NOTES:

- MATERIAL:  
HOUSING: NYLON 46, GLASS FILLED, UL94V-0, COLOR: BLACK  
PIN: .025/0.64 SQ PIN, PHOSPHOR BRONZE
- FINISH:  
A - \*(154) OVERALL TIN: THICKNESS = .000100/0.00254 MIN  
B - (208) SELECTIVE GOLD IN CONTACT AREA: THICKNESS = .000015/0.00038 MIN  
C - (228) SELECTIVE GOLD IN CONTACT AREA: THICKNESS = .000030/0.00076 MIN.  
\* SELECTIVE TIN IN PC TAIL AREA: THICKNESS = .000100/0.00254 MIN  
OVERALL NICKEL UNDERPLATE: .000050/0.00127 MIN  
\* THE PRIMARY SHIPPING CARTON WILL BE LABELED, 'COMPLIANT TO RoHS DIRECTIVE 2002/95/EC AND ELV ANNEX II OF DIRECTIVE 2000/53/EC', AND CARTONS WITHOUT THIS LABEL MAY CONTAIN PRODUCT WITH TIN LEAD.
- PRODUCT SPEC: PS-87920-019
- PACKAGING INFORMATION:  
TUBE PACK : PK-89990-514  
TAPE & REEL : PK-68300-001
- PARTS ARE NOT STACKABLE ON .100/2.54 CENTERS.
- TWO CKT PARTS WILL REQUIRE SUPPORT DURING THE SOLDER PROCESS.
- PLEASE CONTACT SALES/ FACTORY FOR TOOLING ACTIVATION OF TAPE & REEL PACKAGING.



PDR#1871, ADD 68301160	DESCRIPTION
EC NO: S2009-0269	REV
DRWN: YMCHONG	
CHKD: SKANG	
APPR: MLONG	
DATE: 2008/10/15	
DATE: 2008/10/16	
DATE: 2008/10/16	
M4	

QUALITY SYMBOLS	GENERAL TOLERANCES (UNLESS SPECIFIED)	
	mm	INCH
▽=0	4 PLACES ± ---	± ---
∇=0	3 PLACES ± ---	± .005
	2 PLACES ± 0.13	± .010
	1 PLACE ± 0.25	± ---
	ANGULAR ± 1/2°	

DIMENSION STYLE		SCALE	DESIGN UNITS	THIRD ANGLE PROJECTION
IN/MM		NTS	INCH	
DRAWN BY	DATE	TITLE		
SAMIAC	2000/10/28	CUSTOM HEADER		
CHECKED BY	DATE	.100/(2.54) CENTERLINE		
SAMIAC	2000/10/28	VERTICAL/SMT SINGLE ROW		
APPROVED BY	DATE	MOLEX INCORPORATED		
EDGLE Y	2000/10/28	MOLEX INCORPORATED		
MATERIAL NO.	DOCUMENT NO.	SHEET NO.		
SEE TABLE	SD-68301-001	1 OF 5		

DRAFT WHERE APPLICABLE MUST REMAIN WITHIN DIMENSIONS		THIS DRAWING CONTAINS INFORMATION THAT IS PROPRIETARY TO MOLEX INCORPORATED AND SHOULD NOT BE USED WITHOUT WRITTEN PERMISSION	
--	--	---	--


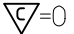
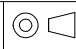

	10	9	8	7	6	5	4	3	2	1	
	MATERIAL NO	PIN NO	OPTIONAL SUB ASSY	PLT REF	DIM M	DIM G	CKT SIZE	VOID CKT #	KINKED PIN	PICK & PLACE CAP	CUT PIN CKT NO.
F	68301-1007	42663-ABA154	42375-0010	154	.240 6.10	.433 10.99	10	NONE	NONE	YES	-
	68301-1109	42663-AWA154	42375-0115	154	.320 8.13	-	10	NONE	NONE	-	-
	68301-1159	42663-AWA154	42375-0116	154	.320 8.13	.513 13.02	11	NONE	NONE	YES	-
	68301-1063	42663-ABA154	-	154	.240 6.10	-	12	NONE	NONE	-	-
	68301-1111	42663-AWA154	42375-0117	154	.320 8.13	-	12	NONE	NONE	-	-
	68301-1157	42663-DMB208	NONE	208	.605 15.37	-	12	NONE	NONE	-	-
E	68301-1065	42663-ABA154	42375-0014	154	.240 6.10	-	14	NONE	NONE	-	-
	68301-1129	42663-AWB208	42375-0154	208	.320 8.13	-	14	NONE	NONE	-	-
	68301-1113	42663-AWA154	42375-0121	154	.320 8.13	-	14	NONE	NONE	-	-
	68301-1066	42663-ABA154	42375-0015	154	.240 6.10	-	15	NONE	NONE	-	-
	68301-1067	42663-ABA154	42375-0016	154	.240 6.10	-	16	NONE	NONE	-	-
	68301-1115	42663-AWA154	42375-0121	154	.320 8.13	-	16	NONE	NONE	-	-
D	68301-1069	42663-ABA154	42375-0018	154	.240 6.10	-	18	NONE	NONE	-	-
	68301-1117	42663-AWA154	42375-0123	154	.320 8.13	-	18	NONE	NONE	-	-
	68301-1119	42663-AWA154	42375-0125	154	.320 8.13	-	20	NONE	NONE	-	-
	68301-1071	42663-ABA154	42375-0020	154	.240 6.10	-	20	NONE	NONE	-	-
	68301-1072	42663-ABA154	42375-0021	154	.240 6.10	-	21	NONE	NONE	-	-
	68301-1123	42663-AWA154	42375-0129	154	.320 8.13	-	24	NONE	NONE	-	-
C											

B										
---	--	--	--	--	--	--	--	--	--	--

A	PDR#1871, ADD 68301160 EC NO: S2009-0269 DRWN: YCHONG 2008/10/15 CHKD: SKANG 2008/10/16 APPR: MLONG 2008/10/16	QUALITY SYMBOLS	GENERAL TOLERANCES (UNLESS SPECIFIED)	DIMENSION STYLE	SCALE	DESIGN UNITS	THIRD ANGLE PROJECTION																														
		= 0 = 0	<table border="1"> <tr> <th></th> <th>mm</th> <th>INCH</th> </tr> <tr> <td>4 PLACES</td> <td>± ---</td> <td>± ---</td> </tr> <tr> <td>3 PLACES</td> <td>± ---</td> <td>± .005</td> </tr> <tr> <td>2 PLACES</td> <td>± 0.13</td> <td>± .010</td> </tr> <tr> <td>1 PLACE</td> <td>± 0.25</td> <td>± ---</td> </tr> </table>		mm	INCH	4 PLACES	± ---	± ---	3 PLACES	± ---	± .005	2 PLACES	± 0.13	± .010	1 PLACE	± 0.25	± ---	<table border="1"> <tr> <th>DRAWN BY</th> <th>DATE</th> <th>TITLE</th> </tr> <tr> <td>SAMIAC</td> <td>2000/10/28</td> <td rowspan="4">           CUSTOM HEADER            .100/(2.54) CENTERLINE            VERTICAL/SMT SINGLE ROW            MOLEX INCORPORATED         </td> </tr> <tr> <th>CHECKED BY</th> <th>DATE</th> </tr> <tr> <td>SAMI EC</td> <td>2000/10/28</td> </tr> <tr> <th>APPROVED BY</th> <th>DATE</th> </tr> <tr> <td>EDGLE Y</td> <td>2000/10/28</td> <td></td> </tr> </table>	DRAWN BY	DATE	TITLE	SAMIAC	2000/10/28	CUSTOM HEADER .100/(2.54) CENTERLINE VERTICAL/SMT SINGLE ROW MOLEX INCORPORATED	CHECKED BY	DATE	SAMI EC	2000/10/28	APPROVED BY	DATE	EDGLE Y	2000/10/28		NTS	INCH	
				mm	INCH																																
		4 PLACES	± ---	± ---																																	
3 PLACES	± ---	± .005																																			
2 PLACES	± 0.13	± .010																																			
1 PLACE	± 0.25	± ---																																			
DRAWN BY	DATE	TITLE																																			
SAMIAC	2000/10/28	CUSTOM HEADER .100/(2.54) CENTERLINE VERTICAL/SMT SINGLE ROW MOLEX INCORPORATED																																			
CHECKED BY	DATE																																				
SAMI EC	2000/10/28																																				
APPROVED BY	DATE																																				
EDGLE Y	2000/10/28																																				
DESCRIPTION	ANGULAR ± 1/2°	MATERIAL NO.	DOCUMENT NO.																																		
REV	DRAFT WHERE APPLICABLE MUST REMAIN WITHIN DIMENSIONS	SEE TABLE	SD-68301-001																																		

	10	9	8	7	6	5	4	3	2	1
	MATERIAL NO	PIN NO	OPTIONAL SUB ASSY	PLT REF	DIM M	CKT SIZE	VOID CKT #	KINKED PIN	PICK & PLACE CAP	CUT PIN CKT NO.
F	68301-1054	42663-ABA154	42375-0002	154	.240 6.10	2	NONE	NONE	-	-
	68301-1055	42663-ABB208	42375-0037	208	.240 6.10	2	NONE	NONE	-	-
	68301-1056	42663-ABB228	42375-0072	228	.240 6.10	2	NONE	NONE	-	-
	68301-1051	42663-AWA154	42375-0107	154	.320 8.13	2	NONE	NONE	-	-
	68301-1009	42663-ABB208	42375-0038	208	.240 6.10	3	NONE	NONE	-	-
	68301-1014	42663-ABA154	42375-0003	154	.240 6.10	3	NONE	NONE	-	-
E	68301-1020	42663-ABB228	42375-0073	228	.240 6.10	3	NONE	NONE	-	-
	68301-1031	42663-AWA154	42375-0108	154	.320 8.13	3	NONE	NONE	-	-
	68301-1037	42663-AWB208	42375-0143	208	.320 8.13	3	NONE	NONE	-	-
	68301-1010	42663-ABB208	42375-0039	208	.240 6.10	4	NONE	NONE	-	-
	68301-1015	42663-ABA154	42375-0004	154	.240 6.10	4	NONE	NONE	-	-
	68301-1021	42663-ABB228	42375-0074	228	.240 6.10	4	NONE	NONE	-	-
D	68301-1032	42663-AWA154	42375-0109	154	.320 8.13	4	NONE	NONE	-	-
	68301-1038	42663-AWB208	42375-0144	208	.320 8.13	4	NONE	NONE	-	-
	68301-1006	42663-ABB208	42375-0040	208	.240 6.10	5	NONE	NONE	-	-
	68301-1016	42663-ABA154	42375-0005	154	.240 6.10	5	NONE	NONE	-	-
	68301-1033	42663-AWA154	42375-0110	154	.320 8.13	5	NONE	NONE	-	-
	68301-1039	42663-AWB208	42375-0145	208	.320 8.13	5	NONE	NONE	-	-

C										
B										

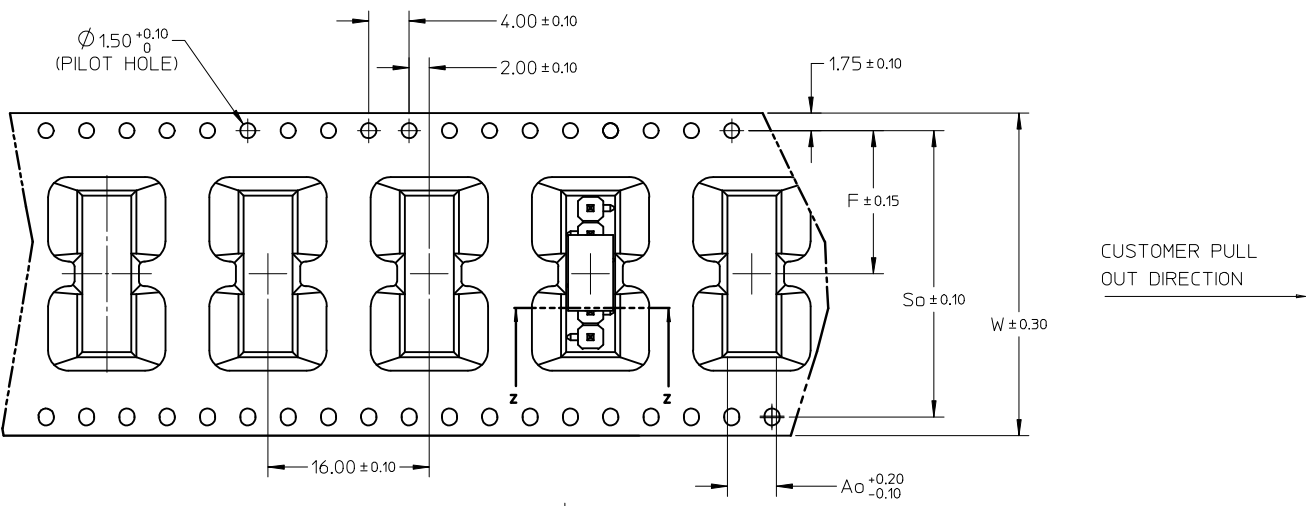
A	PDR#1871, ADD 68301160 EC NO: S2009-0269 DRWN:YCHONG 2008/10/15 CHKD:SKANG 2008/10/16 APPR:MLONG 2008/10/16	QUALITY SYMBOLS	GENERAL TOLERANCES (UNLESS SPECIFIED)	DIMENSION STYLE	SCALE	DESIGN UNITS	THIRD ANGLE PROJECTION																																	
		 = 0  = 0.005	<table border="1"> <tr> <th></th> <th>mm</th> <th>INCH</th> </tr> <tr> <td>4 PLACES</td> <td>± ---</td> <td>± ---</td> </tr> <tr> <td>3 PLACES</td> <td>± ---</td> <td>± .005</td> </tr> <tr> <td>2 PLACES</td> <td>± 0.13</td> <td>± .010</td> </tr> <tr> <td>1 PLACE</td> <td>± 0.25</td> <td>± ---</td> </tr> </table>		mm	INCH	4 PLACES	± ---	± ---	3 PLACES	± ---	± .005	2 PLACES	± 0.13	± .010	1 PLACE	± 0.25	± ---	<table border="1"> <tr> <th>IN/MM</th> <th>DRAWN BY</th> <th>DATE</th> </tr> <tr> <td></td> <td>SAMIAC</td> <td>2000/10/28</td> </tr> <tr> <td></td> <td>CHECKED BY</td> <td>DATE</td> </tr> <tr> <td></td> <td>SAMIAC</td> <td>2000/10/28</td> </tr> <tr> <td></td> <td>APPROVED BY</td> <td>DATE</td> </tr> <tr> <td></td> <td>EDGLEJ</td> <td>2000/10/28</td> </tr> </table>	IN/MM	DRAWN BY	DATE		SAMIAC	2000/10/28		CHECKED BY	DATE		SAMIAC	2000/10/28		APPROVED BY	DATE		EDGLEJ	2000/10/28	NTS	INCH	
			mm	INCH																																				
		4 PLACES	± ---	± ---																																				
3 PLACES	± ---	± .005																																						
2 PLACES	± 0.13	± .010																																						
1 PLACE	± 0.25	± ---																																						
IN/MM	DRAWN BY	DATE																																						
	SAMIAC	2000/10/28																																						
	CHECKED BY	DATE																																						
	SAMIAC	2000/10/28																																						
	APPROVED BY	DATE																																						
	EDGLEJ	2000/10/28																																						
DRAFT WHERE APPLICABLE MUST REMAIN WITHIN DIMENSIONS	SEE TABLE	TITLE CUSTOM HEADER .100/(2.54) CENTERLINE VERTICAL/SMT SINGLE ROW  MOLEX INCORPORATED	MATERIAL NO. SD-68301-001	SHEET NO. 3 OF 5																																				
M4	REV	SIZE	THIS DRAWING CONTAINS INFORMATION THAT IS PROPRIETARY TO MOLEX INCORPORATED AND SHOULD NOT BE USED WITHOUT WRITTEN PERMISSION																																					

	10	9	8	7	6	5	4	3	2	1		
	ASSEMBLY TUBE	ASSEMBLY IN T&R WITH CAP	PIN NO	OPTIONAL SUB ASSY	PLT REF	DIM M	DIM G	CKT SIZE	VOID CKT #	KINKED PIN	PICK & PLACE CAP	CUT PIN CKT NO.
F	68301-1011	-	42663-ABB208	42375-0041	208	.240 6.10	-	6	NONE	NONE	-	-
	68301-1017	-	42663-ABA154	42375-0006	154	.240 6.10	-	6	NONE	NONE	-	-
	68301-1160	68301-1034	42663-AWA154	42375-0111	154	.320 8.13	.513 13.02	6	NONE	NONE	YES	-
	68301-1040	-	42663-AWB208	42375-0146	208	.320 8.13	-	6	NONE	NONE	-	-
	68301-1023	-	42663-ABB228	42375-0076	228	.240 6.10	-	6	NONE	NONE	-	-
	68301-1012	-	42663-ABB208	42375-0042	208	.240 6.10	-	7	NONE	NONE	-	-
E	68301-1018	-	42663-ABA154	42375-0007	154	.240 6.10	-	7	NONE	NONE	-	-
	68301-1035	-	42663-AWA154	42375-0112	154	.320 8.13	-	7	NONE	NONE	-	-
	68301-1041	-	42663-AWB208	42375-0147	208	.320 8.13	-	7	NONE	NONE	-	-
	68301-1013	-	42663-ABB208	42375-0043	208	.240 6.10	-	8	NONE	NONE	-	-
	68301-1029	-	42663-ABB228	-	228	.240 6.10	-	8	NONE	NONE	-	-
	68301-1019	-	42663-ABA154	42375-0008	154	.240 6.10	-	8	NONE	NONE	-	-
D	68301-1028	-	42663-CNB228	-	228	.505 12.83	-	8	NONE	NONE	-	-
	68301-1036	-	42663-AWA154	42375-0113	154	.320 8.13	-	8	NONE	NONE	-	-
	68301-1042	-	42663-AWB208	42375-0148	208	.320 8.13	-	8	NONE	NONE	-	-
	68301-0800	-	42663-DMB208	-	208	.605 15.37	-	8	NONE	NONE	-	-
	68301-1076	-	42663-ABB208	42375-0044	208	.240 6.10	-	9	NONE	NONE	-	-
	68301-1060	-	42663-ABA154	-	154	.240 6.10	-	9	NONE	NONE	-	-

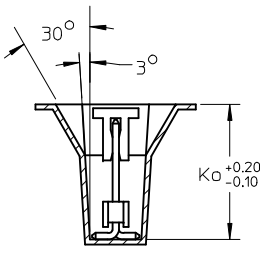
C												
B												

A	PDR#1871, ADD 683011160 EC NO: S2009-0269 DRWN:YCHONG 2008/10/15 CHKD:SKANG 2008/10/16 APPR:MLONG 2008/10/16	QUALITY SYMBOLS ▽=0 ◻=0	DESCRIPTION REV	M4	GENERAL TOLERANCES (UNLESS SPECIFIED)	DIMENSION STYLE		DRAWN BY SAMIAC	DATE 2000/10/28	TITLE CUSTOM HEADER .100/(2.54) CENTERLINE VERTICAL/SMT SINGLE ROW	SCALE NTS	DESIGN UNITS INCH	THIRD ANGLE PROJECTION				
						IN/MM								APPROVED BY EDGLE Y	DATE 2000/10/28		
						mm	INCH									MATERIAL NO. SEE TABLE	DOCUMENT NO. SD-68301-001
						4 PLACES ± --- ± ---	3 PLACES ± --- ± .005										
2 PLACES ± 0.13 ± .010	1 PLACE ± 0.25 ± ---																
					ANGULAR ± 1/2°		THIS DRAWING CONTAINS INFORMATION THAT IS PROPRIETARY TO MOLEX INCORPORATED AND SHOULD NOT BE USED WITHOUT WRITTEN PERMISSION										

CKT SIZE	QTY/ REEL	A <sub>0</sub>	K <sub>0</sub>	F	S <sub>0</sub>	W
6	230	4.85	13.40	14.20	28.40	32.00
10	230	4.90	11.30	20.20	40.40	44.00

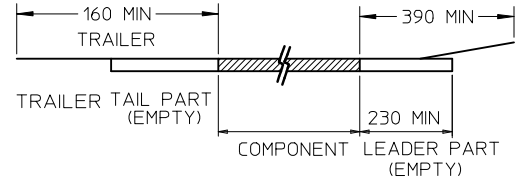


CUSTOMER PULL  
OUT DIRECTION →



NOTES:

1. LEADER AND TRAILER TAPE



2. PEELING OFF FORCE OF THE TOP TAPE: 60gf MAX.  
(PEELING DIRECTION AS SHOWN IN FOLLOWING FIGURE)



3. THE TAPE IS TREATED FOR ANTI ESD  
4. PACKAGING STANDARD AS PER EIA-481.  
5. ABOVE PACKAGING ILLUSTRATION IS FOR 6CKT ONLY.

PDR#1871, ADD 68301160 EC NO: S2009-0269 DRWN:YMCCHONG 2008/10/15 CHKD:SKANG 2008/10/16 APPR:MLONG 2008/10/16	QUALITY SYMBOLS	GENERAL TOLERANCES (UNLESS SPECIFIED)	DIMENSION STYLE	SCALE	DESIGN UNITS	THIRD ANGLE PROJECTION
	DESCRIPTION	mm INCH	IN/MM	NTS	INCH	

4 PLACES	± ---	± ---
3 PLACES	± ---	± .005
2 PLACES	± 0.13	± .010
1 PLACE	± 0.25	± ---
ANGULAR ± 1/2°		
DRAFT WHERE APPLICABLE MUST REMAIN WITHIN DIMENSIONS		

DRAWN BY	DATE	TITLE
SAMIAC	2000/10/28	CUSTOM HEADER .100/(2.54) CENTERLINE VERTICAL/SMT SINGLE ROW
CHECKED BY	DATE	
SAMIEC	2000/10/28	MOLEX INCORPORATED
APPROVED BY	DATE	
EDGLE	2000/10/28	
MATERIAL NO.	DOCUMENT NO.	
SEE TABLE	SD-68301-001	

SIZE	THIS DRAWING CONTAINS INFORMATION THAT IS PROPRIETARY TO MOLEX INCORPORATED AND SHOULD NOT BE USED WITHOUT WRITTEN PERMISSION	
A3		